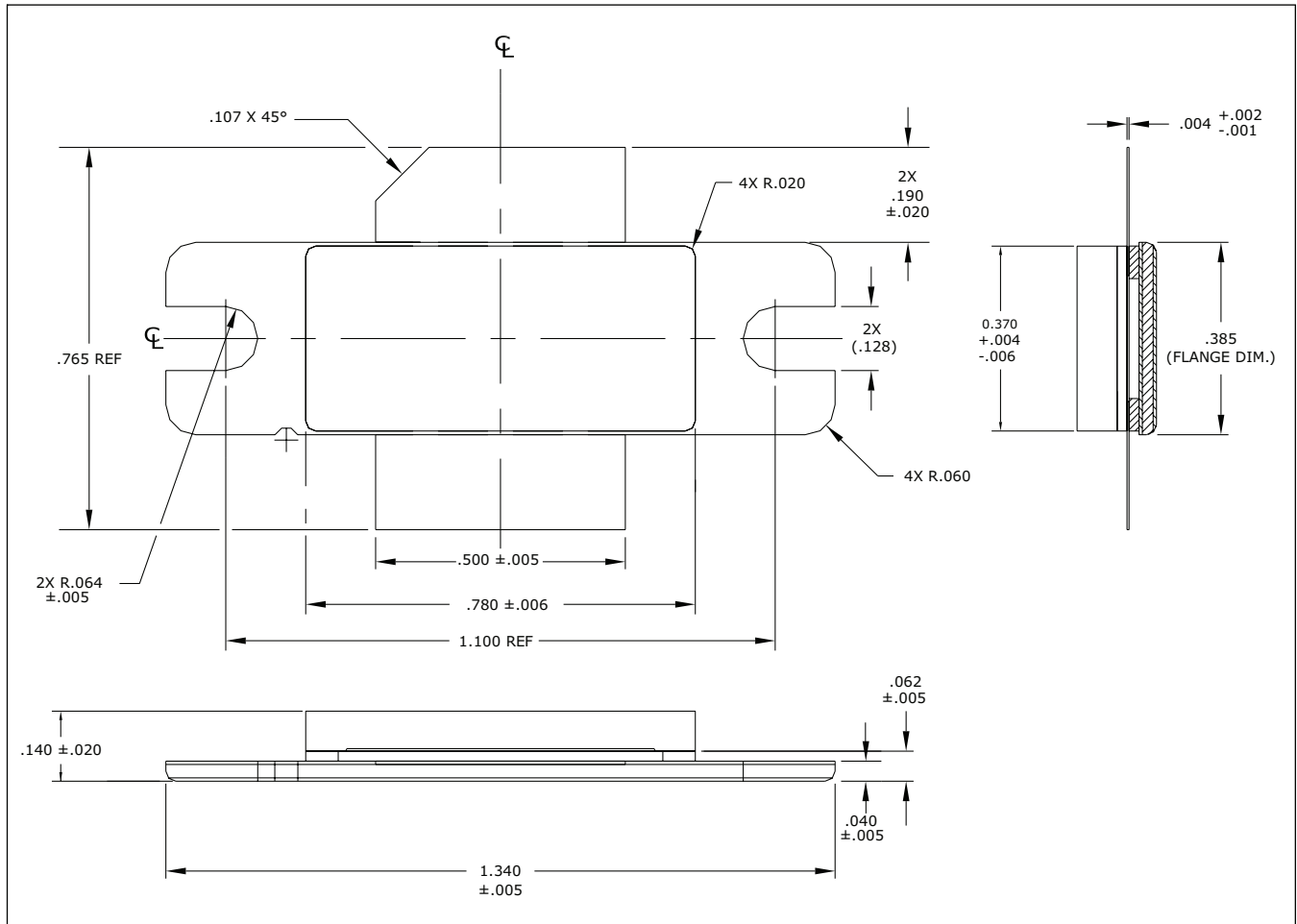
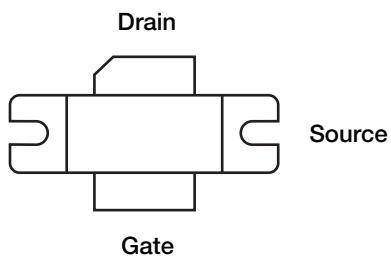


AC780BM-F2 Package

Package Drawing - Dimensions are in Inches



Terminal Identification



Package Photo

