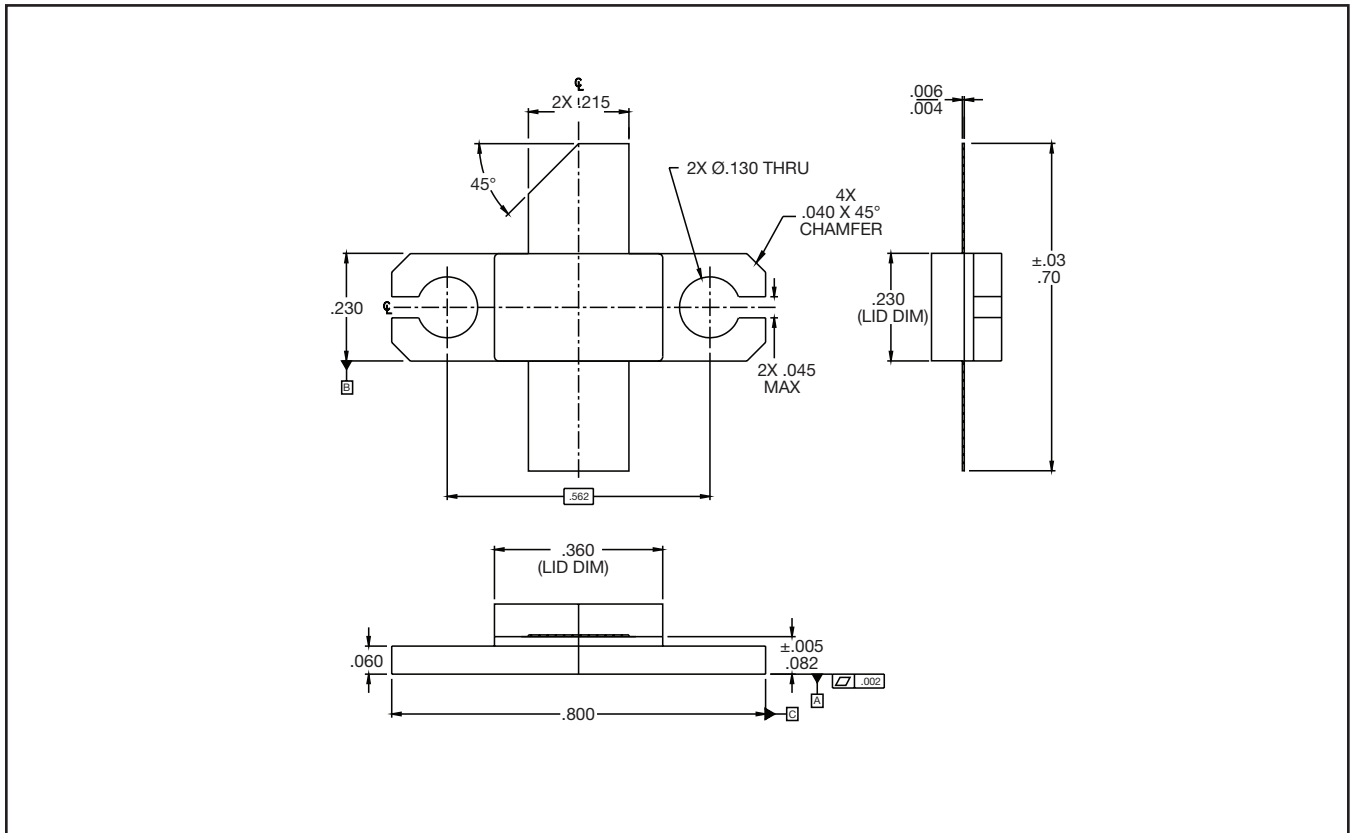
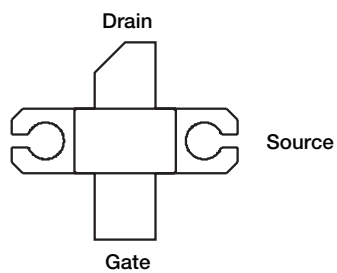


# AC360BM-F2 Package

Package Drawing - Dimensions are in Inches



## Terminal Identification



## Package Photo

